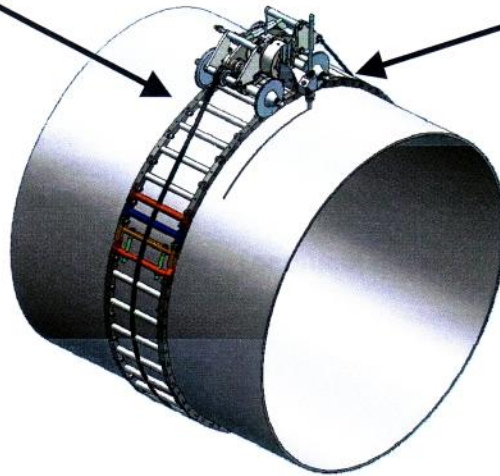


ECO TOP CUTTER 3000

High Pressure Unit MK3




Cutting substance tank system with pneumatic control box



Federal Institute for Materials Research and Testing
 Unter den Eichen · 10585 Berlin
 Tel. +49 30 8101-2
 Fax +49 30 8101-310
 E-Mail: info@bam.de

(1) **EC TYPE-EXAMINATION CERTIFICATE**

- (2) Directive 94/EC
Equipment and Protective Systems Intended for use in Potentially Explosive Atmospheres
- (3) EC Type-Examination Certificate Number: **BAM 08 ATEX 1101 X** 
- (4) Device: High-pressure abrasive water jet cutter
Type ECO TOP CUTTER 3000-EX
- (5) Manufacturer: WOMA GmbH
- (6) Address: Werkzeuge Straße 77-79, D-47226 Duisburg
- (7) The design of this device and any acceptable versions are specified in the annex to this certificate.
- (8) BAM Federal Institute for Materials Research and Testing, as Notified Body with the identification number 0589 according to Article 9 of Council Directive 94/EC of 23 March 1994, certifies that this device complies with the Essential Health and Safety Requirements relating to the design and construction of equipment and protective systems intended for use in potentially explosive atmospheres given in Annex II of the Directive.
The test results are recorded in the confidential report No. BAM II-18902906 / BZS-GS/42-07 dated 3 November 2008.
- (9) Compliance with the Essential Health and Safety Requirements has been assured by compliance with EN 12453-1 (2006).
- (10) If the sign "X" is placed after the certificate number, it indicates that the device is subject to special conditions for safe use specified in the annex to this certificate.
- (11) This EC Type-Examination Certificate refers only to the design and construction of the specified device in accordance with Directive 94/EC. Further requirements of this directive apply to the manufacture and placing on the market of this device. Compliance with these further requirements is not confirmed by this certificate.
- (12) The marking of the device shall include the following:

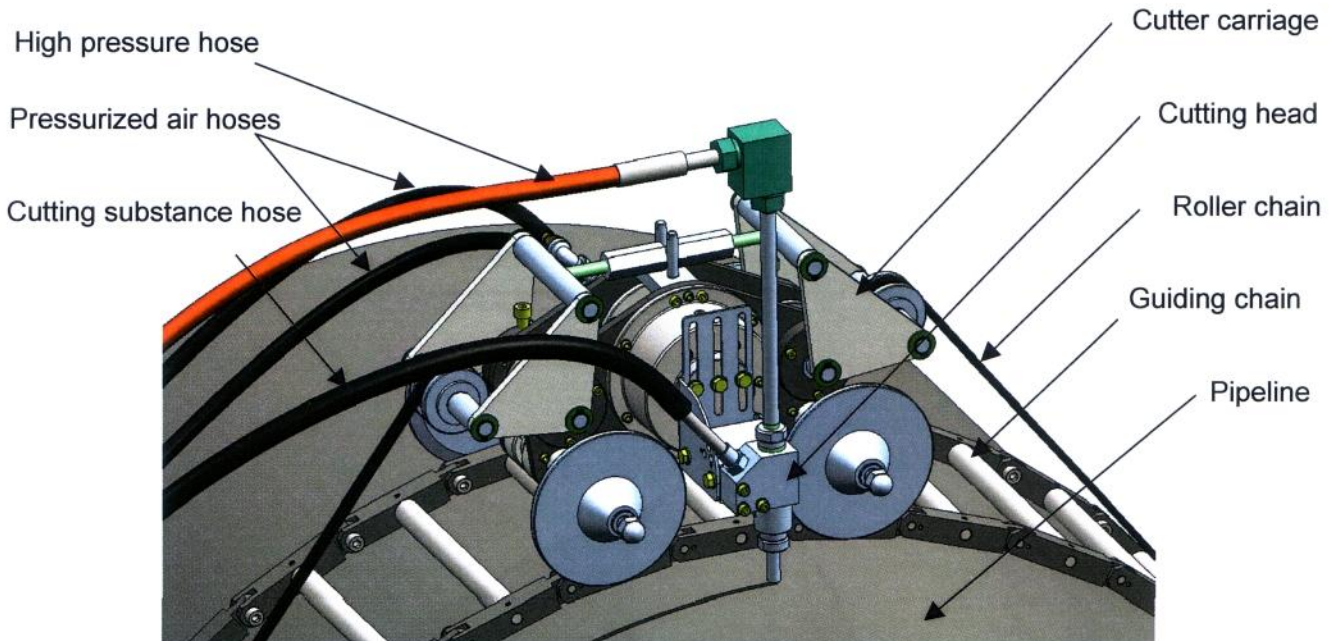
 II 1G/3G IIA

for
 BAM Bundesanstalt für Materialforschung und -prüfung
 BAM Federal Institute for Materials Research and Testing
 D-12205 Berlin, 18 November 2008

 
 Dr. rer. nat. R. Schmitt (BAM Certification Body) Dr.-Ing. R. Grotz (Author)

© BAM, WOMA GmbH and their BAM Certification Body. This EC Type-Examination Certificate may be reproduced only in its entirety and without any changes, unless required. This document is in English. BAM 08 ATEX 1101 X 18/11/08, page 1/1

ECO TOP CUTTER 3000



Description:

The Eco Top Cutter 3000-EX in its explosion protected version is applied for cold-cutting of high-pressure natural gas and gas oil pipelines made of steel with a wall thickness up to 40 mm in a pressureless and flowless state, however – where applicable – exposed to an explosive fuel gas/air atmosphere in the interior of the pipeline.

Certification:

Approved by the Notified Body BAM Federal Institute for Materials Research and Testing for the use in Zone 0 Equipment Category 1G.

EC Type-Examination Certificate Number:
BAM 08 ATEX 1101 X



Technical data:

Part No. for driving speed: min. 25 mm/min max. 100 mm/min	001.1914
Part No. for driving speed: min. 70 mm/min max. 220 mm/min	001.1915
Operating pressure max:	2500 bar
Flow rate max:	23 l/min
Medium:	Water
Air consumption max:	400 l/min at 6 Bar
Prescribed and particularly for this application certified cutting substance:	Part-No. 320.5531 (25kg bag)
Prescribed nozzle form:	21S-EX
Smallest perm. inner-diameter of the pipeline tubes:	20 inch / 500 mm



(1) **EC TYPE-EXAMINATION CERTIFICATE**

(2) **Directive 94/9/EC**
Equipment and Protective Systems Intended for use in Potentially Explosive Atmospheres

(3) EC Type-Examination Certificate Number: **BAM 08 ATEX 1101 X**



(4) Device: High-pressure abrasive water jet cutter
Type „ECO TOP CUTTER 3000-EX“
with cutter carriage

(5) Manufacturer: WOMA GmbH

(6) Address: Werthausen Straße 77-79; D-47226 Duisburg

(7) The design of this device and any acceptable versions are specified in the annex to this certificate.

(8) BAM Federal Institute for Materials Research and Testing, as Notified Body with the Identification number 0589 according to Article 9 of Council Directive 94/9/EC of 23 March 1994, certifies that this device complies with the Essential Health and Safety Requirements relating to the design and construction of equipment and protective systems intended for use in potentially explosive atmospheres given in Annex II of the Directive.

The test results are recorded in the confidential report No. BAM II-1890/2006 / BZS-GS/42/07 dated 3 November 2008.

(9) Compliance with the Essential Health and Safety Requirements has been assured by compliance with FprEN 13463-1 (2008).

(10) If the sign "X" is placed after the certificate number, it indicates that the device is subject to special conditions for safe use specified in the annex to this certificate.

(11) This EC Type-Examination Certificate refers only to the design and construction of the specified device in accordance with Directive 94/9/EC. Further requirements of this directive apply to the manufacture and placing on the market of this device. Compliance with these further requirements is not confirmed by this certificate.

(12) The marking of the device shall include the following:

 **II 1G/3G IIA**

for

BAM Bundesanstalt für Materialforschung und –prüfung /
BAM Federal Institute for Materials Research and Testing
D-12200 Berlin, 18 November 2008



Dr. rer. nat. R. Schmidt
(BAM Certification Body)



Dr.-Ing. R. Grätz
(Assessor)

1st issue: WOMA GmbH

2nd issue: BAM Certification Body

This EC Type-Examination Certificate may be reproduced only in its entirety and without any changes, annex included. The German text is legally binding.

BAM 08 ATEX 1101 X
18/11/2008, page 1/5