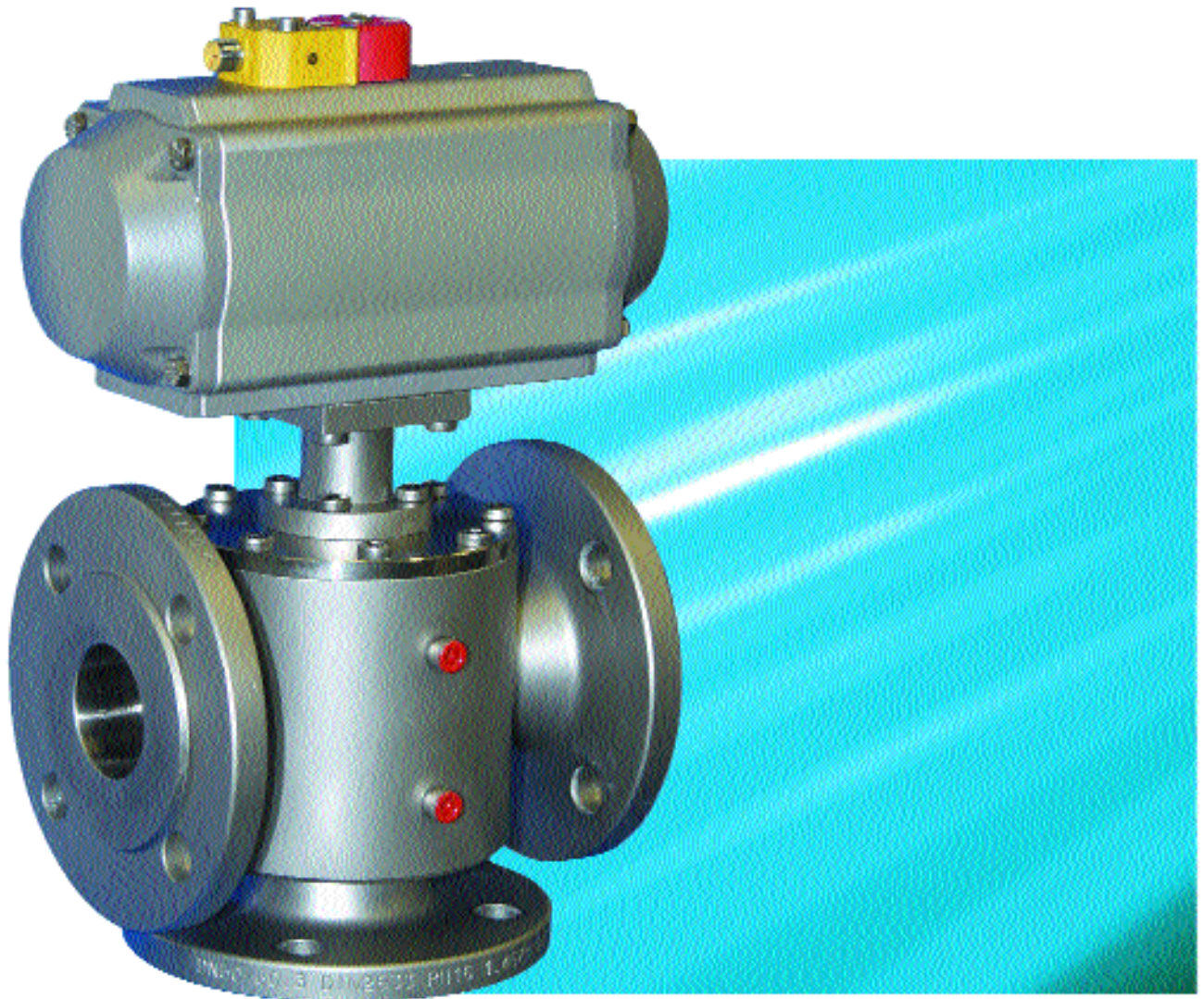


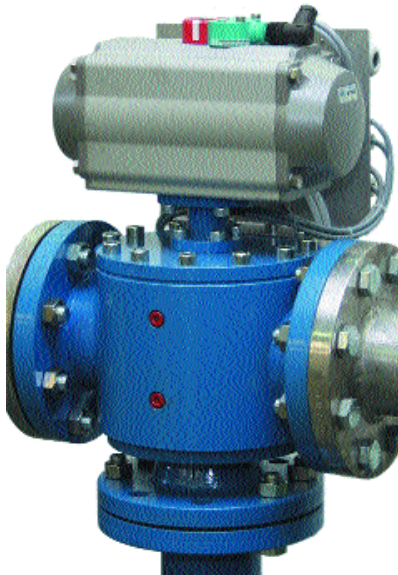
I.S.T. PIGGING TECHNOLOGY T-Port Valve T40

**Unique multi-functional
Piggable Valve.**



Patented tee branch valve, providing product Isolation and pig catching facilities. Can also be equipped as a launching station with integrated pig changing chamber.





I.S.T. T-Port Valve

Multi-functional valve Design, providing optimum solution for one-pig-systems

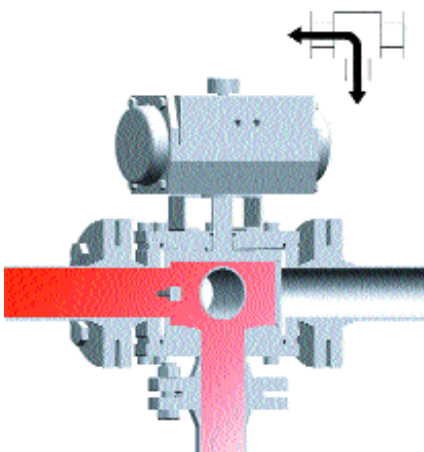
The T-Port Valve is particularly suitable for single direction pigging systems. For such applications the T-port valve provides safe and clean pigging results comparable with two pig systems, but with reduced control system expenditure: with only two positions it is possible to open the T-branch and transfer the product with minimal pressure drop and also stop the pig.

In this position the pipe behind the T-port valve is isolated. In the second position the pig passage is opened and the T-branch is isolated.

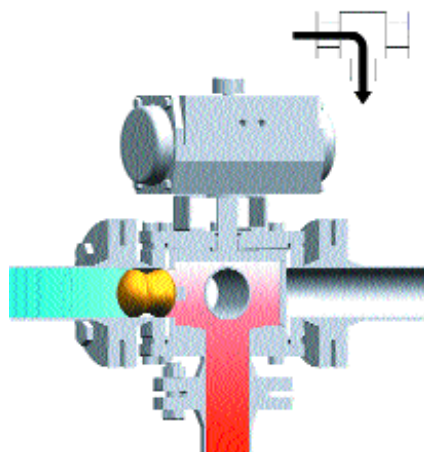
The sealing principle utilised in the T-port valve is the same as our proven T41 3-Way Valve. The main seal is manufactured from PTFE and covers the valve drum completely. Hence, no product residue remains in the piggable passage.

The benefits:

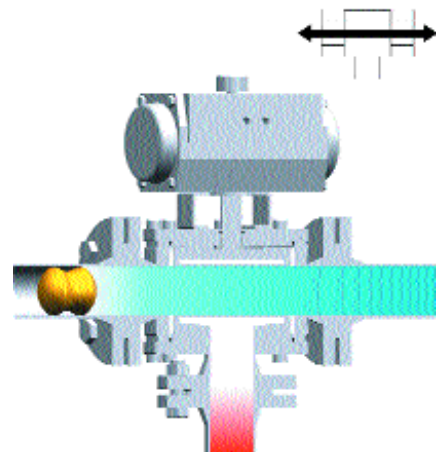
- Multi-functional valve, reducing control system expenditure
- Proven valve sealing design
- Minimal pressure drop
- Simplifies layout of piggable pipeline due to straight pig passage
- Compact size
- Cost effective



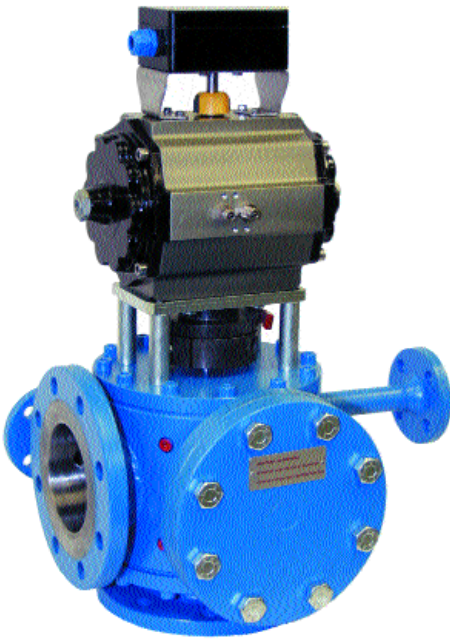
The T-Port Valve is "open":
The Connection to the tank is open, station is ready for product transfer.



When the transfer is finished
the pig pushes all residual product in to the tank.
The pig is stopped at the pig stop



The T-Port Valve is "closed":
The connection to the tank is isolated and the piggable passage open. In this position the pig can pass through the valve and be returned to launching station.



T-Port Valve as Launching station:

New safety standards for pig changing procedure

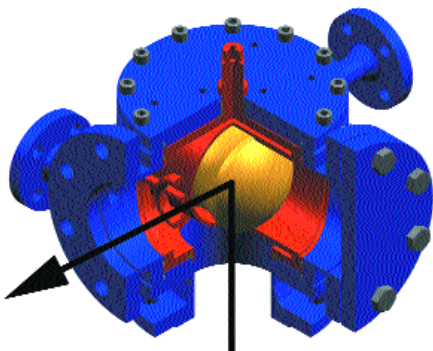
Incorporating the many advantages of the multi-functional T-Port valve, together with a unique and innovative safe method for loading & unloading pigs.

The benefits:

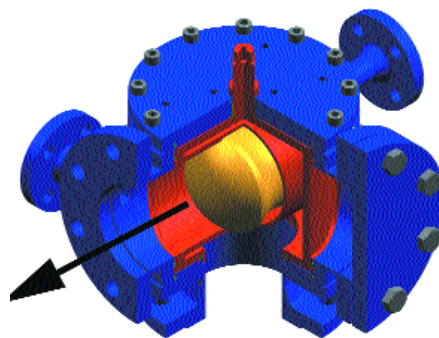
- As Launching station equipped with integrated pig changing chamber, separated from the pigging line
- Pig isolated from Product Flow
- Safe Pig changing Facility, without external Energy/Utility Services, or Control System action
- Compact size
- Cost effective

This execution is also equipped with an integrated pig changing chamber and pig propellant connections. In addition to the standard two automated valve positions there is also a third manual valve position for changing pigs. The pig changing procedure requires no external utility services, or control system action.

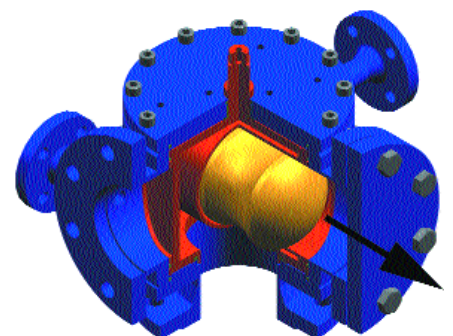
The orientation of the pig changing chamber ensures that the pigging line is isolated when changing pigs, providing the highest levels of operator safety.



The T-Port Valve is „open“: Product pumped through the T-Port Valve, with Pig in Stand by Position.



The T-Port Valve is „closed“: T-Port valve rotated to Pigging/ Product recovery Position



T-Port Valve rotated to Pig insert/removal Position.

Technical Data:

CONNECTIONS

Flange DIN DN 50 to DN 100
in PN 16 or ANSI 2" - 4" 150
lbs. (other types on request)

NOMINAL PRESSURE

PN 16 / 150 lbs (up to 80°C),
PN 25 / 300 lbs on request.

OPERATION

Pneumatic double acting
or manual.
Pig changing manual

DESIGN TEMPERATURE

-15°C to max. +120°C

OPERATING TEMPERATURE

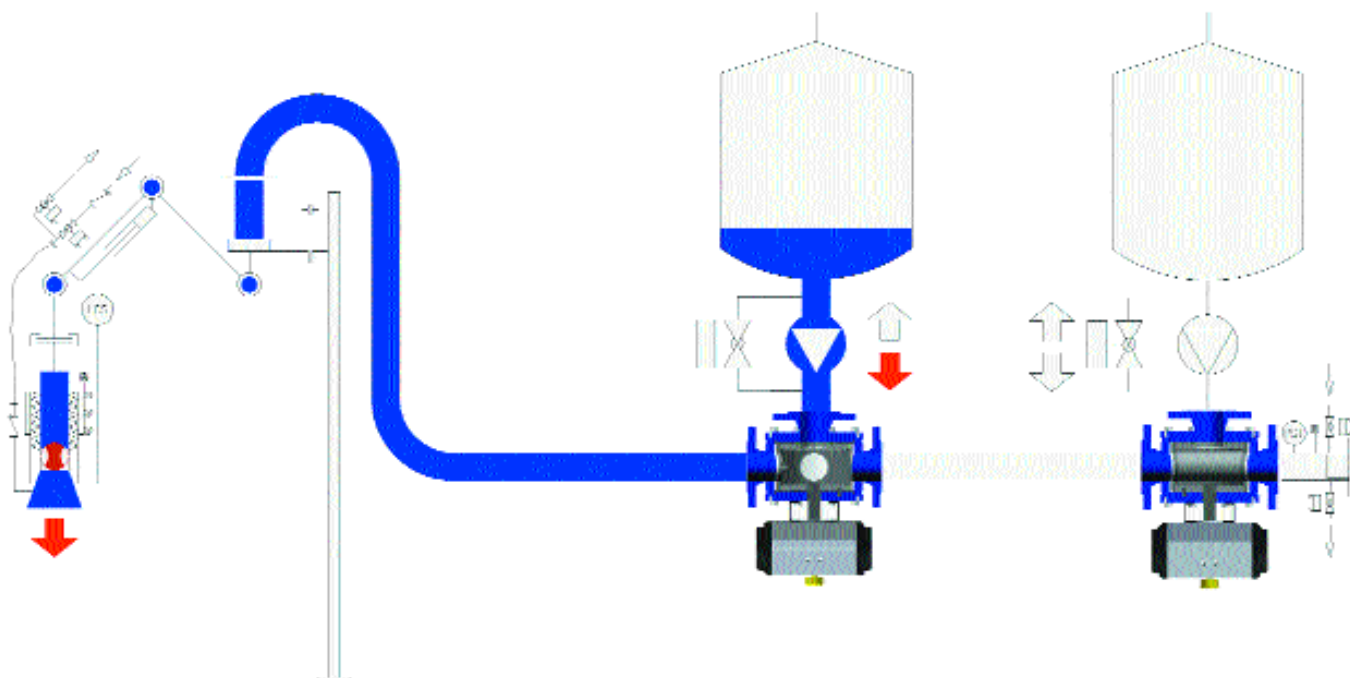
-20°C to +75°C
(for higher temperatures an
alternative actuator will be
necessary)

MATERIAL

Housing: Stainless steel
1.4571 or Carbon steel 1.0570
Sealings: NBR, FKM, VMQ or
EPDM.



Example of T-Port Valve equipped with Sliding Couplings utilised as a Launching and Receiving Station.



Typical piggable Distribution system incorporating in Line T-Port Valves.
Simple 'One Pig' Process is sufficient to handle multiple Product Inlet/Destinations.

I.S.T. Sales Offices:

Benelux
I.S.T. MOLCHTECHNIK G.M.B.H

Max Planckstraat 31
NL - 2041 CX Zandvoort
Phone: +31 - 23 - 5 73 00 97
Fax: +31 - 23 - 5 73 03 96
e-mail: kb@ist-molchtechnik.de

U.K. Office
I.S.T. MOLCHTECHNIK G.M.B.H

Unit 4 B
Barrowmore Enterprise Estate
Great Barrow, Chester CH3 7JS
Phone: +44 - 18 29 - 74 15 55
Fax: +44 - 18 29 - 74 18 88
e-mail: ukoffice@ist.u-net.com



I.S.T. MOLCHTECHNIK G.M.B.H
Schierenberg 74
D-22145 Hamburg
Phone: +49 - 40 - 67 99 47-0
Fax: +49 - 40 - 67 99 47-10
e-mail: ist@ist-hamburg.de
www.piggingssystem.com